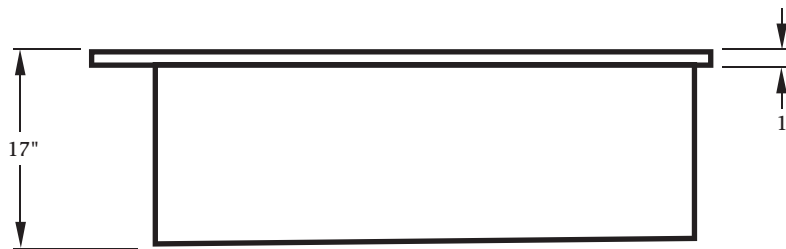
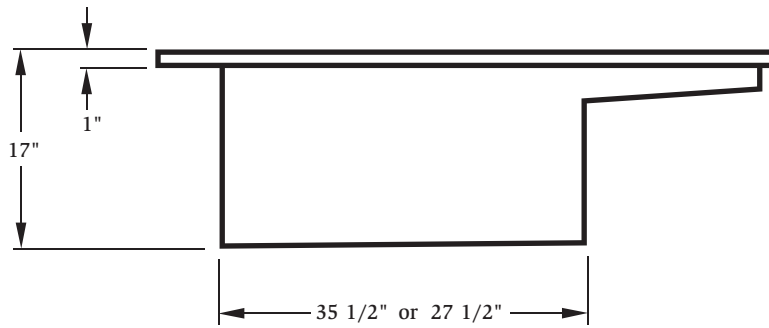
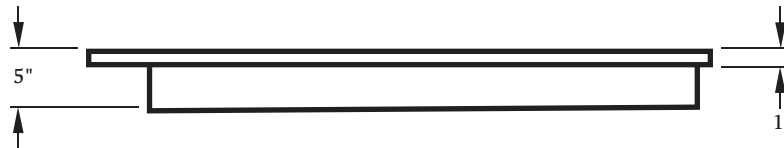
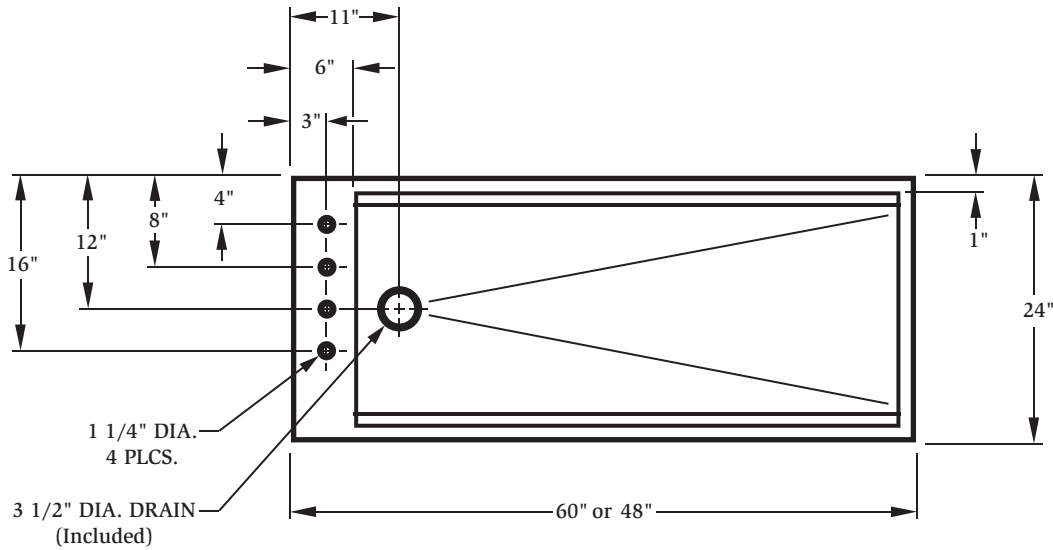


# Tub Specifications

Note: All Cabinets  
and Tubs on Legs –  
36" Tall

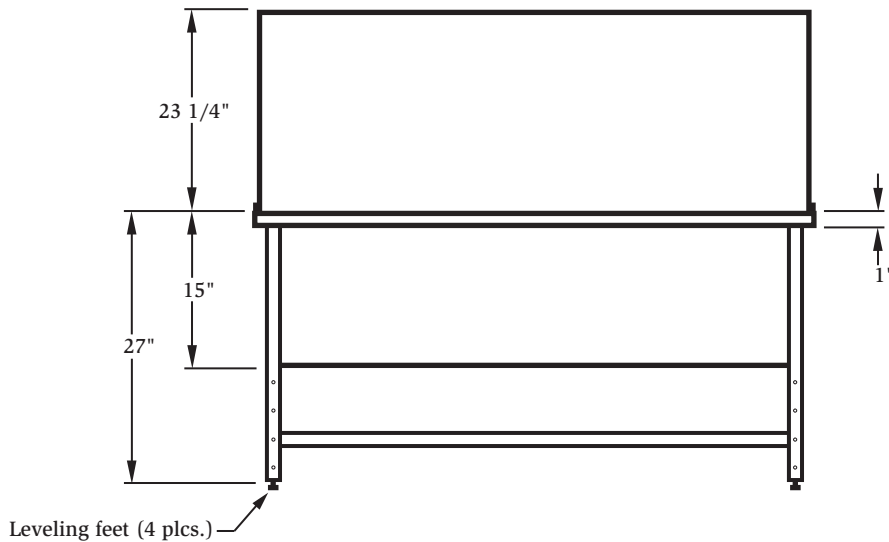
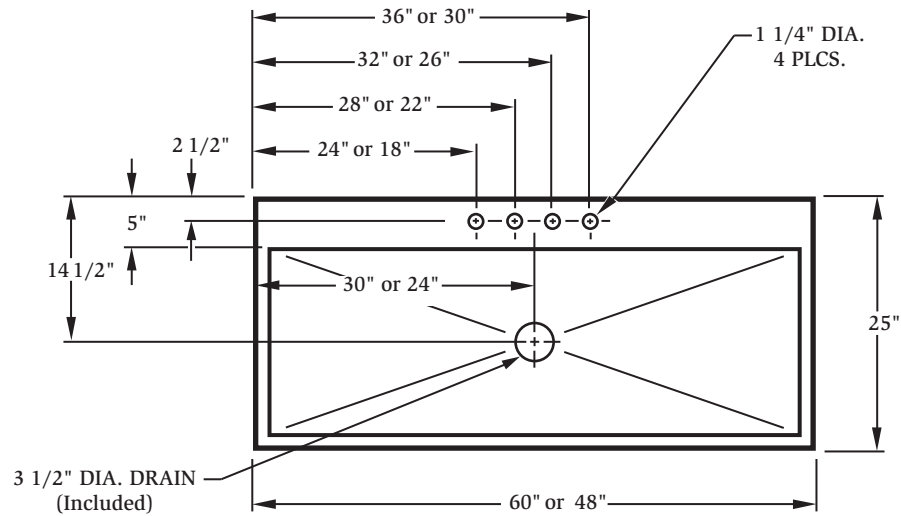
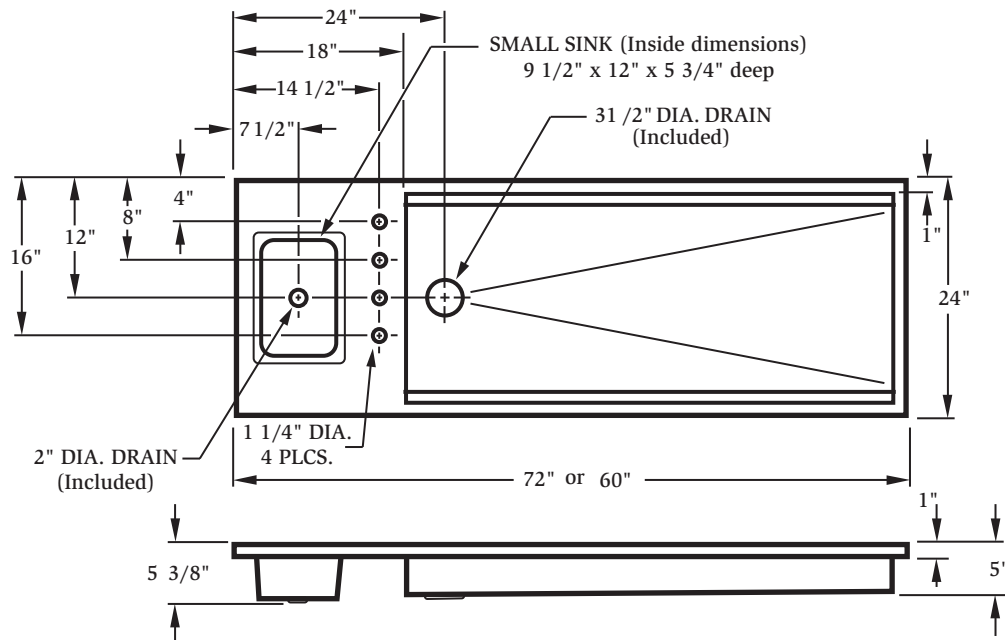
Note: All  
dimensions  
are  $\pm 1/8"$



# Tub Specifications

Note: All Cabinets and Tubs on Legs – 36" Tall

Note: All dimensions are  $\pm 1/8"$

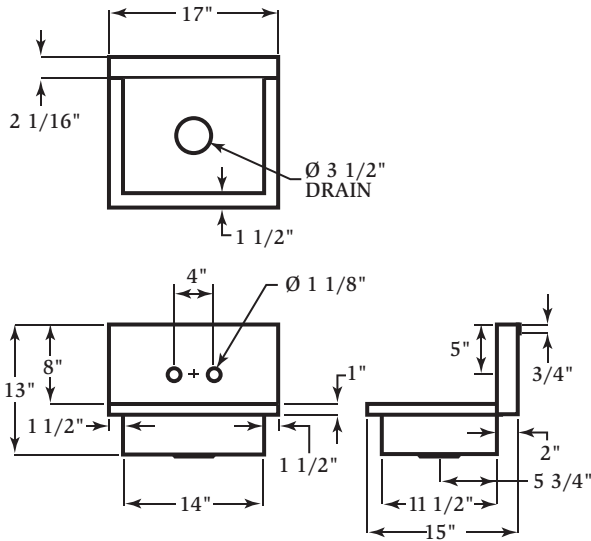


1-800-299-9525

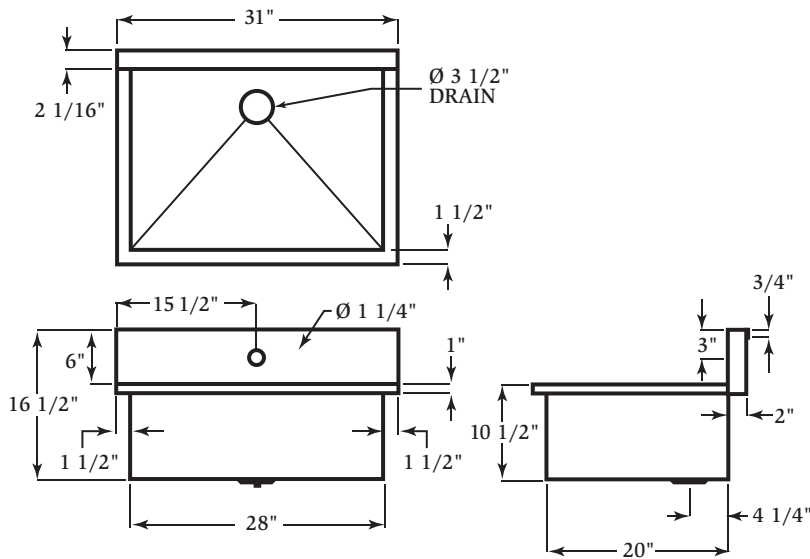
fax 417-358-4716 • www.vssi.com • e-mail vssi@vssi.com

# Scrub Sink Specifications

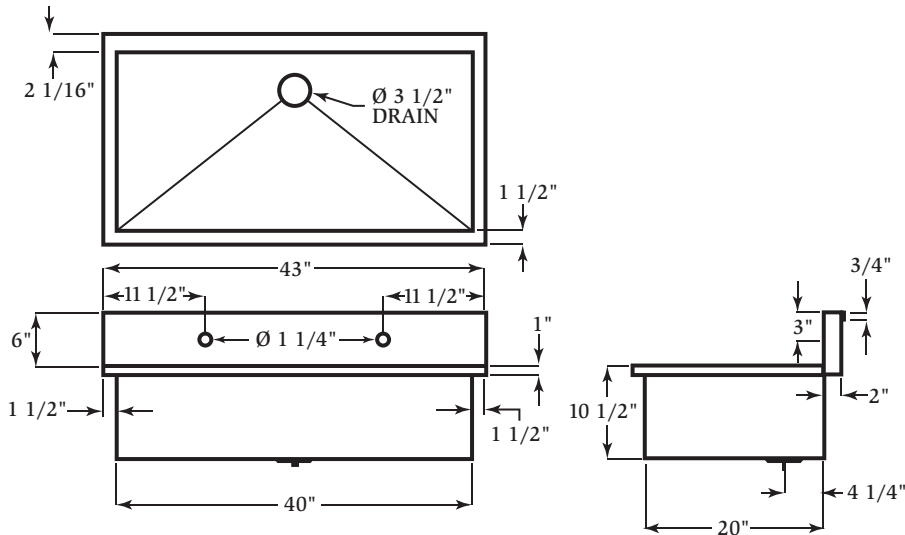
Note: All dimensions are  $\pm 1/8$ "



**Economy  
Hand  
Sink**



**Surgeon's  
Scrub  
Sink  
Single**



**Surgeon's  
Scrub  
Sink  
Double**